


Special Features

- External zero adjustment (optional)
- Solid Front design features baffle wall interposed between the sensing system & the window, and a Pressure relieving back for increased safety.
- Dry or fillable version.
- Accuracy $\pm 0.5\%$ F. S. (optional)
- Stainless steel blow off back
- Standard followed EN 837-1

Application

- Suitable for high pressure gas
- Corrosive / hazardous Environment that will not obstruct the pressure system.

Specifications
Standard Version : 100 mm & 150 mm

Accuracy	:	$\pm 1.0\%$ of F. S.
Ambient temperature	:	- 20°C to + 65°C
Process temperature	:	Max 300°C
Operating pressure Range	:	75 % of Scale Value
Over pressure limit	:	≤ 100 bar : 125% of Max. Scale Value > 100 to ≤ 600 bar : 115% of Max. Scale Value > 600 to ≤ 1600 bar : 110% of Max. Scale Value

Case & Bezel	:	AISI 304 SS (Bayonet Type)
Bourdon	:	AISI 316L SS
Socket	:	AISI 316L SS (Directly welded to case)
Movement	:	AISI 304 SS
Joints	:	Tig Argon Arc Welding

Protection	:	IP 65
Dial	:	Aluminum, black graduation on white background
Pointer	:	Aluminum, black Coloured Micrometer ZeroAdjustable
Window	:	Shatterproof / Safety Glass
Blow off Disc	:	AISI 304 SS
Gasket & Filling Plug	:	Neoprene

Dry but fillable version (option FG)

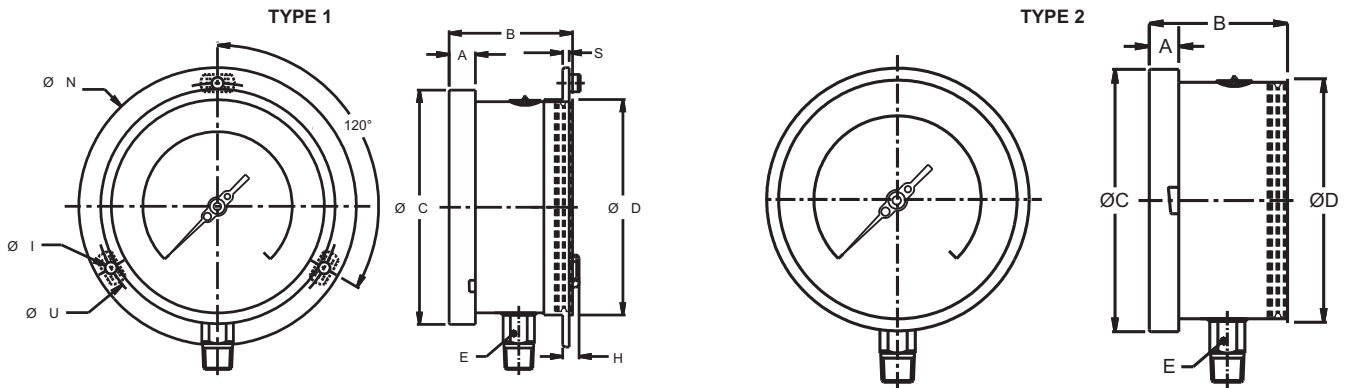
Fillable Dampening Liquid	:	Glycerine 99.7%
Ambient Temperature	:	Maximum 65°C
Process Temperature	:	Maximum 65°C
Window	:	Shatterproof / Safety glass
Other Features	:	Refer specification of standard version

Glycerine filled version (option PY)

Accuracy	:	$\pm 1.0\%$ of F. S.
Ambient Temperature	:	Maximum 65°C
Window	:	Shatter proof / Safety glass
Dampening Liquids	:	Glycerine 99.7%
Other Features	:	(Others available as option) Refer specification of standard version

Temperature effect :

The variation of indication caused by effects of temperature is to be calculated by below formula; which is to be added in the specified accuracy while measurement :- Formula : $\pm 0.04 \times (t_2 - t_1) \%$ of F. S. where t_1 = reference temperature (+20°C) and t_2 = ambient temperature in °C.

Dimensions - standard version


NS	A	B	ØC	ØD	E	ØN	ØU	H	ØI	S	Weight in gram (With Box)	Weight in gram (With Glycerin & Box)
100	12.5	70	111	100	22	134	76	15	6	1	860.0	1170.0
150	15	70	161	149	22	186	118	15	6	1	1440.0	2230.0

NS	A	B	ØC	ØD	E	Weight in gram (With Box)	Weight in gram (With Glycerin & Box)
100	12.5	70	111	100	22	760.0	1070.0
150	15	70	161	149	22	1300.0	2090.0

- Notes :
- Drawings are not to scale.
 - All Dimensions are in mm
 - NS = Nominal Size
 - Weights mentioned are approximate and for standard product.
 - Weight can be different after selection of options.

Range Table

Note : We offer National / International Scales like kPa, MPa, bar, psi, kg/cm² & Dual Scale like kPa with psi, kPa with bar, bar with psi or Equivalent scales as per the requirement can be provided on request. Following are the example tables for kg/cm² & psi scales

Range with nominal sizes
Single scale (kg/cm² or bar)

0/0.6	0/4	0/25	0/160	0/1000
0/1	0/6	0/40	0/250	0/1600
0/1.6	0/10	0/60	0/400	
0/2.5	0/16	0/100	0/600	

Dual scale (psi with kg/cm²)

psi	kg/cm ²	psi	kg/cm ²	psi	kg/cm ²
0/15	0/1	0/400	0/28	0/4000	0/280
0/30	0/2	0/500	0/35	0/5000	0/350
0/60	0/4	0/600	0/40	0/6000	0/400
0/100	0/7	0/1000	0/70	0/10000	0/700
0/150	0/10	0/1500	0/100	0/15000	0/1000
0/220	0/16	0/2200	0/160	0/22000	0/1600
0/300	0/20	0/3000	0/200		

Range Table
Vacuum & Compound range
Dual scale

inHg with psi	mmHg with kg/cm ²	inHg with psi	mmHg with kg/cm ²	inHg with psi	mmHg with kg/cm ²
- 30/0	- 760 / 0	- 30/60	- 760 / 4	- 30/200	- 760 / 14
- 30/15	- 760 / 1	- 30/100	- 760 / 7	- 30/300	- 760 / 21
- 30/30	- 760 / 2	- 30/150	- 760 / 10		

Single scale (kg/cm² or bar)

- 1/0	- 1/1.5	- 1/5	- 1/15
- 1/0.6	- 1/3	- 1/9	- 1/24

Accessories (Refer datasheet for complete specifications)

EB Cooling tower	* Needle valve
EC Gauge cock	EG Snubber
ED Overload protector (gauge saver)**	EH Siphon

* Refer catalogue for Valves & Manifolds

** For Pressure Ranges.

How To Order
Example
Basic Model
Code

AI

Nominal Size
F
H

X

100 mm

150 mm

Type of Mounting

1 Wall/ surface/ projection mounting with bottom entry	6 2" pipe / yoke mounting with bottom entry*
2 Direct bottom entry	

X

* MOC of bracket and 'U' clamp will be steel (painted). Ask factory for drawings, if required.

Gauge Connection
3BM 3/8" BSP (M) **4BM** 1/2" BSP (M) (Standard) **4NM** 1/2" NPT (M) (Standard) **4MM** M20 x 1.5 (M)

XXX

Note : Connections like Metric/ PT/ PF/ Flaired/ UNF/ G/ R etc can be provided on request.

Range

Refer range table

0/10

Optional extras

OA Accuracy ± 0.5% OF F. S. (dry version & except maximum reading pointer)	SX SS Tag plate
TI Monel bourdon & socket (Monel version)**#	SW Dial tag marking
FL Integral dampening screw (Monel)#	TB Helium leak test
FS Fillable liquid silicon oil*	TF Conformity as per NACE Standard
FG Fillable liquid glycerine	PW Five point factory calibration certificate
PY Dampening liquid glycerine filled	SG Oxygen service (for dry version)
QA Dampening liquid silicon oil filled*	RH Custom designed dial
RW Plexi glass	QB Integral dampening screw (AISI 316 SS)
SF Movement with dampening jelly	SA Internal over pressure stop
RR Enclosure protection IP 66	SB Internal vacuum stop
RE Enclosure protection IP 67	PS AISI 316 SS case & bezel
PU Calibration certificate traceable to National/ International standards	SD AISI 316 SS movement
GH Material test certificates***	KA On - off type vent plug
	ZL Over range protection 150% of F. S.
	EZ External zero adjustment

 XX
kg/cm²

*Gasket & Filling plug of Viton. *** Material test certificates will be provided for wetted parts only with chemical composition testing.

For others, please consult factory. # Integral dampening screw will be in monel if ordered. Refer option FL.

Ordering Example: AI . X . X . XXX . 0/10 kg/cm² . XX

For other optional items, please contact factory for delivery and minimum quantity of order.

Note : Specifications and dimensions given in this product catalogue represents the state of engineering at the time of printing .

Modifications may take place and materials specified may be replaced by others without prior notice.